



MASONRY SAW

**BSM1402
PARTS BOOK**



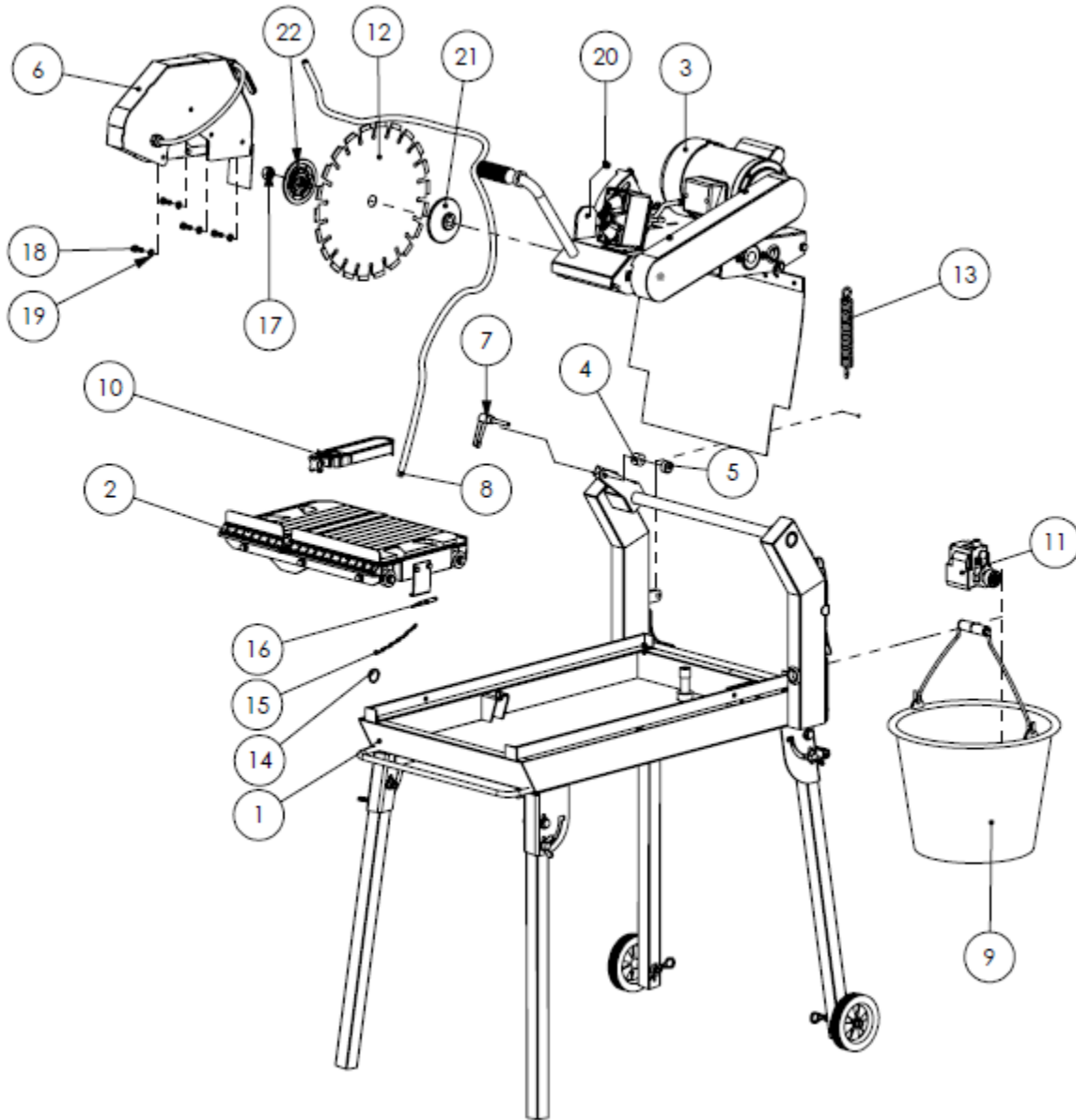
www.BARTELLGLOBAL.com

Doc. # PB-B19042
Orig. Rel. - 03/2017
Curr Rev. - 00

TABLE OF CONTENTS

<u>PARTS LIST 1 – MAIN ASSEMBLY</u>	3
MAIN ASSEMBLY LIST	4
<u>PARTS LIST 2 – FRAME ASSEMBLY</u>	5
FRAME ASSEMBLY LIST	6
<u>PARTS LIST 3 – CUTTING TABLE ASSEMBLY</u>	7
CUTTING TABLE ASSEMBLY LIST	8
<u>PARTS LIST 4 – CUTTING HEAD ASSEMBLY</u>	9
CUTTING HEAD ASSEMBLY LIST	10
<u>PARTS LIST 5 – BLADE GUARD ASSEMBLY</u>	13
BLADE GUARD ASSEMBLY LIST	14

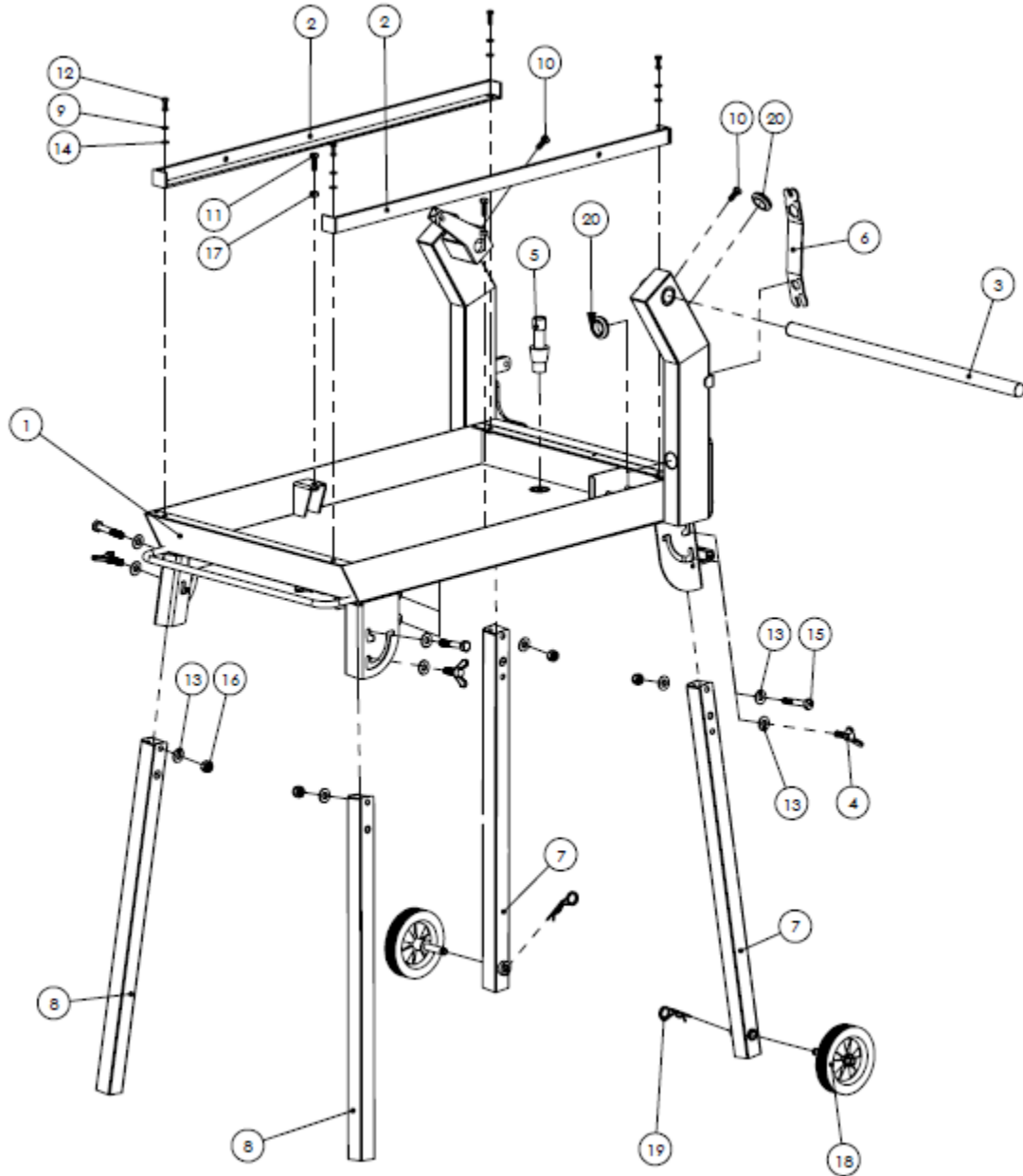
PARTS LIST 1 – MAIN ASSEMBLY



MAIN ASSEMBLY LIST

Item #	Part #	Description	QTY	Remarks
1	83140201	Metal Frame Assembly	1	
2	83140202	Cutting table assembly	1	
3	83140203	Cutting head assembly	1	
4	83140204	30D x 8.2d x 18.1L Spacer	1	
5	83140205	M8 x 1.25 Cylindrical nut	1	
6	83140206	Blade guard assembly	1	
7	83140207	M8 X 1.25 X 50L, Male adjustable knob	1	
8	83140208	12D x 8d x 1.6ML Hose	1	
9	83SDT3595.1	3 Gallon bucket	1	
10	83150085	45/90 deg aluminum guide	1	
11	83420302	253 gal/hr Water pump	1	
12		Blade	1	
13	83140209	Helical spring	1	
14	83140210	D1" (25.5mm) Curtain ring	1	
15	83140211	130L Chain	1	
16	83140212	M 8 x 40 Quick Release Pin	1	
17	83S1000-17	9003(5/8-11Unc Hex nut)	1	
18	10999	HHCS, M8-1.25 x 20L	4	
19	11614	M8 Spring Lock Washer	4	
20	11617	M8-1.25 Nylon Nut	1	
21	83140213	10" Inner flange	1	
22	83140214	10" Outer Flange	1	

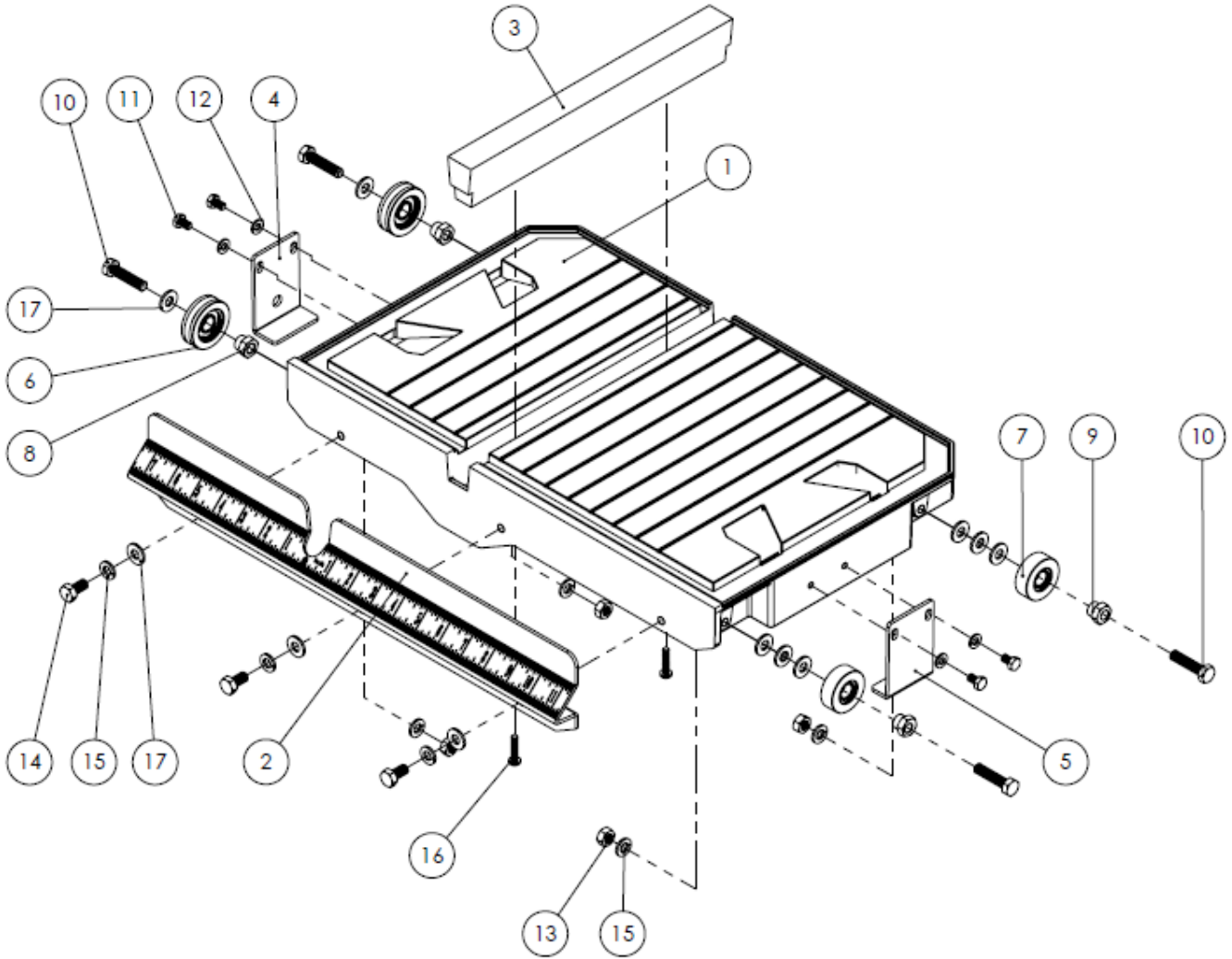
PARTS LIST 2 – FRAME ASSEMBLY



FRAME ASSEMBLY LIST

Item #	Part #	Description	QTY	Remarks
1	83150351	Frame weldment	1	
2	83140221	Rail weldment	2	
3	83140222	Cutting head shaft	1	
4	83140223	M10 x 1.5 x 30L Wing screw	4	
5	83140224	Overflow plug assembly	1	
6	83140225	Universal wrench	1	
7	83140226	Rear Leg	2	
8	83140227	Front Leg	2	
9	14448	M6 Lock Washer	4	
10	10999	HHCS, M8-1.25 x 20L	2	
11	11619	HHCS, M8-1.25 x 25L	2	
12	51058	HHCS, M6-1.0 x 20L	4	
13	830338	M10 Wide Washer	12	
14	83420097	M6 Wide Washer (M6*19*1)	4	
15	13350	HHCS, M10-1.5 x 60L	4	
16	11802	M10-1.5 Nylon Nut	4	
17	11615	M8-1.25 Hex Nut	2	
18	83140228	Wheel Assembly	2	
19	83140229	D4 X 45L hairpin cotter pin (25D shaft)	2	
20	83140230	D40 d24 11t Grommet	2	

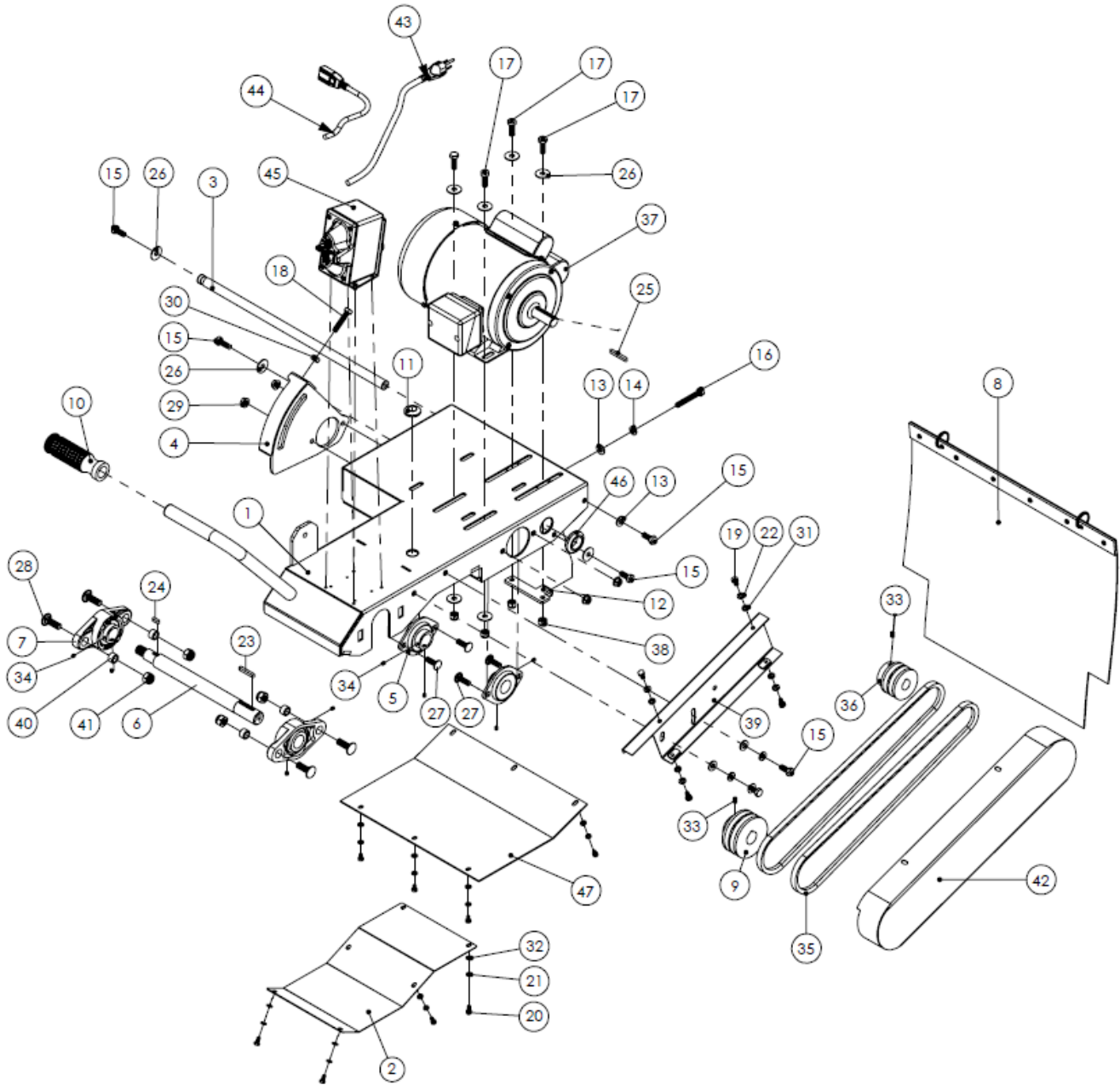
PARTS LIST 3 – CUTTING TABLE ASSEMBLY



CUTTING TABLE ASSEMBLY LIST

Item #	Part #	Description	QTY	Remarks
	83140202	Cutting Table Assembly	1	
1	83140231	Conveyor Cart Cast with Injected Rubber	1	
2	83140232	Ruler guide with scale	1	
3	83150073	Cart Insert	1	
4	83140234	Cutting table lock	1	
5	83140235	Cutting table bracket	1	
6	83150067	Guide roller (2)	2	
7	83150068	Flat roller (2)	2	
8	83150347	Concentric shim	2	
9	83150348	Eccentric shim	2	
10	10155	HHCS, M8-1.25 x 35L	4	
11	83100062	HHCS, M6-1.0 x 10L	4	
12	14448	M6 Lock Washer	4	
13	11615	M8-1.25 Hex Nut	4	
14	11515	HHCS, M8-1.25 x 16L	3	
15	11614	M8 Lock Washer	7	
16	83140239	M5 x 2.12 x 25L cross tapping screw	2	
17	83230166	M8 Wide Washer	11	

PARTS LIST 4 – CUTTING HEAD ASSEMBLY



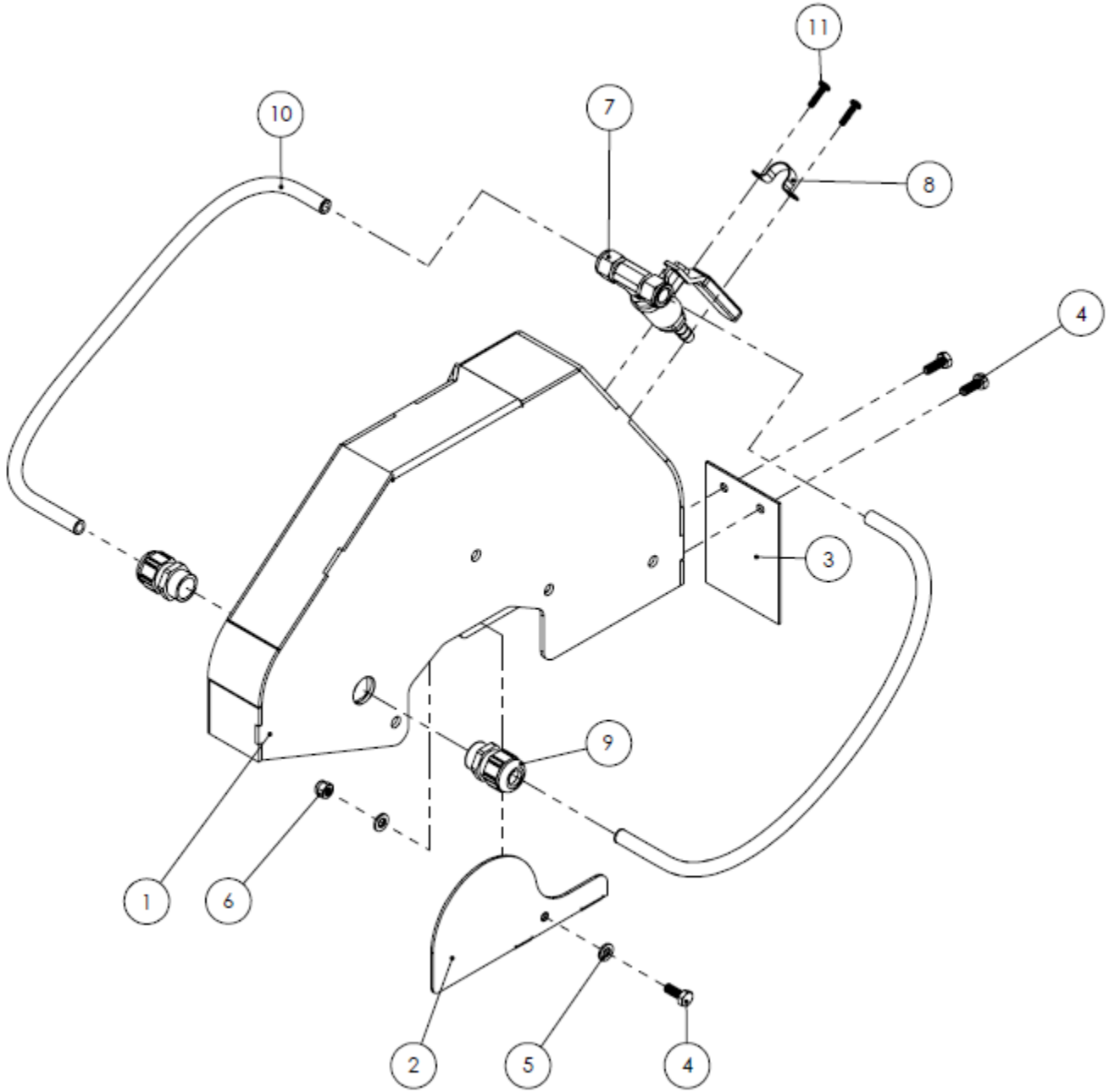
CUTTING HEAD ASSEMBLY LIST

Item #	Part #	Description	QTY	Remarks
1	83140240	Cutting head weldment	1	
2	83140241	Forward underside shield	1	
3	83140242	Spring hook shaft	1	
4	83140243	Depth control weldment	1	
5	83140244	Flange Caster Bearing	2	
6	83140245	Blade shaft	1	
7	83140246	FL-205 Flange Caster Bearing	2	
8	83140247	Rear splash guard	1	
9	83140248	Pulley dual V-belt D65 d24	1	
10	83140249	35.5D 22d x 125L Rubber grip	1	
11	83140281	Grommet D20 x d15	1	
12	83140251	Motor tension bracket	1	
13	83230166	M8 Wide Washer	4	
14	11614	M8 Lock Washer	3	
15	10999	HHCS, M8-1.25 x 20L	6	
16	140252	HHCS, M8-1.25 x 55L	1	
17	11619	HHCS, M8-1.25 x 25L	4	
18	10452	HHCS, M8- 1.25 x 40L	1	
19	11618	HHCS, M6-1.0 x 12L	4	
20	83140253	HHCS, M5-0.8 x 10L	6	
21	11844	M5 Lock Washer	6	
22	14448	M6 Lock Washer	4	
23	83420210	5 x 5 x 35L Square key	1	
24	83140254	5 x 5 x 15L Square key	1	
25	83140255	5 x 5 x 40L Square key	1	
26	83140256	M8 Large Washer	9	
27	83140257	M8 x 1.25 x 25L - 20shx Square neck bolt	4	
28	83140258	M10 x 1.5 x 30L - 23shx Square neck bolt	4	
29	83140259	M8-1.25 Flange nut	4	
30	11615	M8-1.25 Hex Nut	2	
31	83140260	M6X13X1T Narrow washer	4	
32	8325054	M5 Narrow washer	6	
33	83100094	M6 x 1.0 x 10L Flat point set screw	2	
34	83140261	M5 x 0.8 x 6L Flat point set screw	8	
35	83140262	Belt XPZ-1000	2	
36	83140263	Pulley dual V-belt D65 d16	1	
37	83140264	2HP 115V/60Hz Dual voltage motor	1	
38	11617	M8-1.25 Nylon Nut	4	
39	83140265	Belt guard mounting bracket	1	
40	83140266	Spacers 15.9 x 10.2 x 10	4	
41	11802	M10-1.5 Nylon Nut	4	
42	83140268	Belt guard	1	

43	83140269	14AWGx3Cx2.1M Power cable	1	
44	83140270	18/3 AWG x 7.1"L Female power cable	1	
45	83100002	20Amp Power switch assembly	1	
	83S1000-03	20A Toggle Switch	1	
	83S1000-04	Circuit Breaker	1	
46	83140281	Grommet D20 x d15	1	
47	83140233	Rear Underside Shield	1	

This Page Intentionally Left Blank

PARTS LIST 5 – BLADE GUARD ASSEMBLY



BLADE GUARD ASSEMBLY LIST

Item #	Part #	Description	QTY	Remarks
1	83140273	Blade guard weldment	1	
2	83140274	Blade access door	1	
3	83140275	Splash flap	1	
4	11746	HHCS, M6-1.0 x 16L	3	
5	830384	M6 Wide Washer	4	
6	50622	M6-1.0 Nylon Nut	1	
7	83140276	5/16" T-fitting x 3/8" barbed fitting assembly	1	
8	83140278	5/8" Pipe bracket	1	
9	83140279	PG 13.5 Cable gland	2	
10	83140280	12D 8d x 409L Water hose	1	
11	8303531	M4 x 0.7 x 16L Philips screw	2	

BARTELL

BARTELL GLOBAL



Bartell Morrison Inc.
170 Traders Blvd E
Mississauga, Ontario, Canada
L4Z 1W7
Tel: 1-647-953-4100
Fax: 1-647-953-4101



Bartell Morrison (USA) LLC
200 Commerce Drive, Unit A
Freehold, New Jersey, USA
07728
Tel: 1-848-225-8100
Fax: 1-848-225-8101



Innovatech
4701 Allmond Ave
Louisville, Kentucky, USA
40209
Tel: (425) 405-9100
Fax: (425) 405-9101



SPE International
Honeyholes Lane
Dunholme, Lincoln, UK
LN2 3SU
Tel: +44 (0)1673 860709
Fax: +44 (0)1673 861119



**BARTELL
GLOBAL**

**5 BRANDS - 1 SOURCE FOR
GREAT EQUIPMENT**
BARTELL morrison   

BARTELLGLOBAL.COM